

## G7810W Million Lock Cabinet Lock

For double swing door / drawer interlocking type

### Features

- With 2 dead bolts, suitable for double swing doors and drawers, etc.
- Can lock upper and lower drawers with one lock
- Reversible key, turn the key 360° to lock or unlock
- Body and dead bolt are made of stainless steel 304 with excellent rust resistance
- 1 million key changes available
- Master key system available on request (max. 2,520 key changes per master key)
- Polished and clear finish for cylinder and ring also available (made-to-order)
- Keys can be shared with other *Million Lock Series*



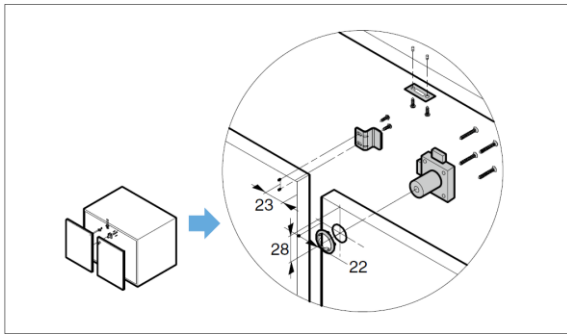
### Parts Included

- Countersunk head wood screw 2.7×13, 3.1×22 (SUS)

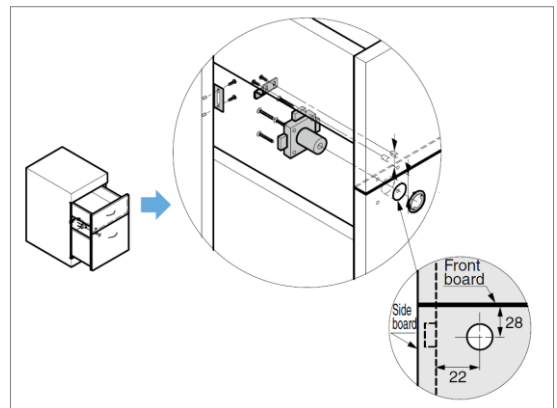
### Sold Separately

- Spacer G6810-SP

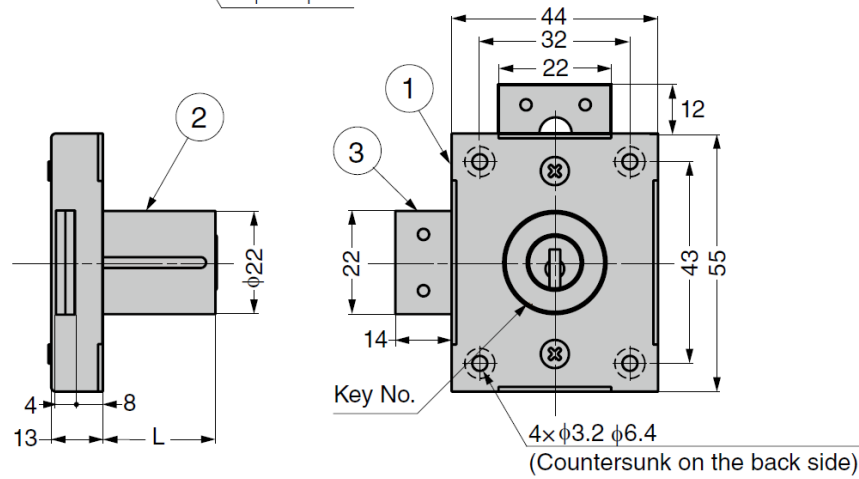
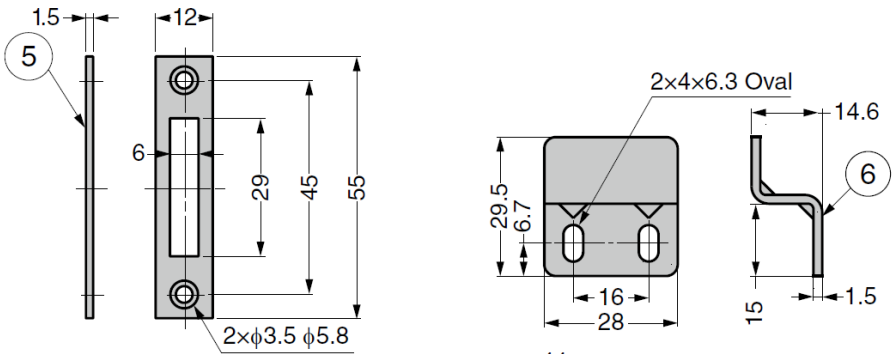
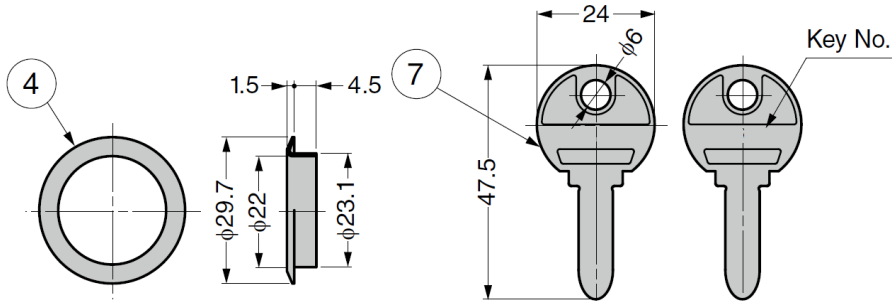
### Installation on Double Swing Door



### Installation on Drawer



Part No.	Key Type	Cylinder Diameter	Door Thickness	Finish	L
G7810W-24NI-B	Key Different	22	22 ~ 24	Dull Nickel	24
G7810W-24NI-D	Key Alike			Chrome	
G7810W-24CR-B	Key Different				
G7810W-24CR-D	Key Alike			Chrome	
G7810W-30NI-B	Key Different		28 ~ 30		Dull Nickel
G7810W-30NI-D	Key Alike			Chrome	
G7810W-30CR-B	Key Different				Dull Nickel
G7810W-30CR-D	Key Alike			Chrome	
G7810W-36NI-B	Key Different		34 ~ 36		Dull Nickel
G7810W-36NI-D	Key Alike			Chrome	
G7810W-36CR-B	Key Different				Dull Nickel
G7810W-36CR-D	Key Alike			Chrome	



No.	Part Name	Material	Finish
①	Body	Stainless Steel (SUS304)	Satin
②	Cylinder	Brass	Satin Nickel, Chrome
③	Dead Bolt	Stainless Steel (SUS304)	Plain
④	Ring	Brass	Satin Nickel, Chrome
⑤	Strike A	Stainless Steel (SUS304)	Satin
⑥	Strike B		
⑦	Key	Brass	Nickel